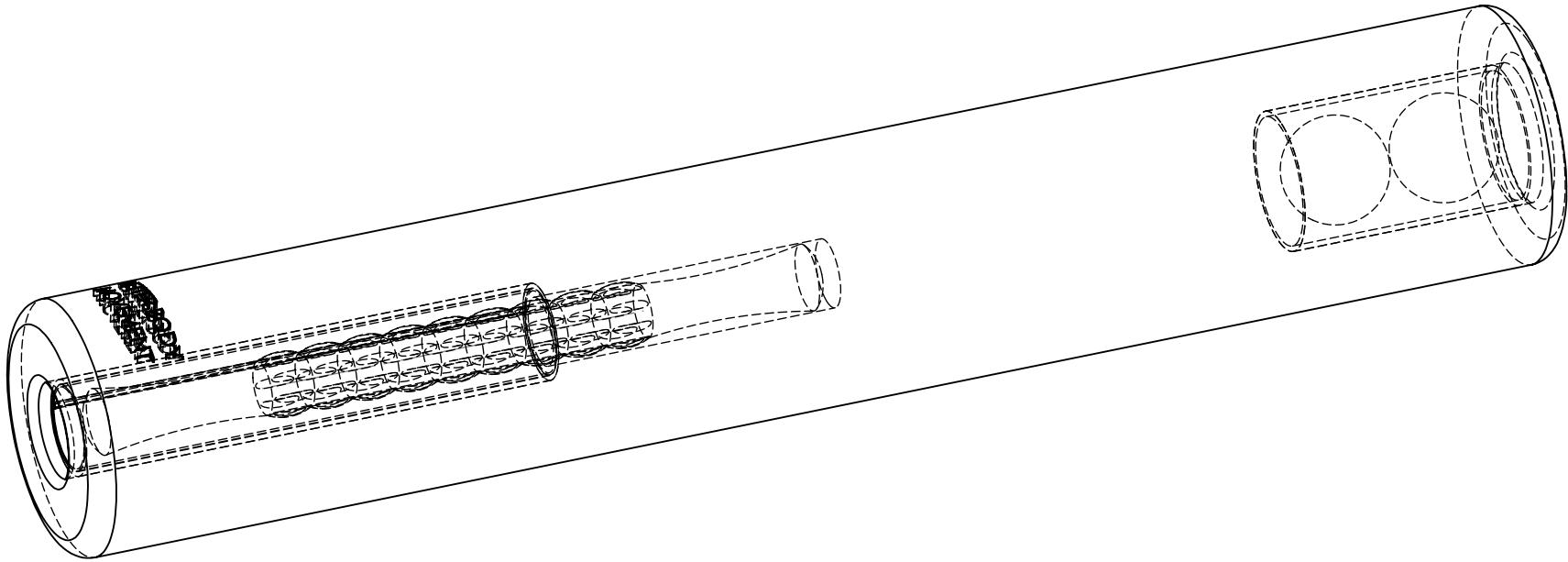


2

1

B

B



A

A

PROPRIETARY AND CONFIDENTIAL
 THE INFORMATION CONTAINED IN THIS DRAWING IS THE SOLE PROPERTY OF FitFaith, LLC. ANY REPRODUCTION IN PART OR AS A WHOLE WITHOUT THE WRITTEN PERMISSION OF FitFaith, LLC IS PROHIBITED.

		UNLESS OTHERWISE SPECIFIED:		NAME	DATE
		DIMENSIONS ARE IN INCHES	DRAWN		
		TOLERANCES:	CHECKED		
		FRACTIONAL ±	ENG APPR.		
		ANGULAR: MACH ± BEND ±	MFG APPR.		
		TWO PLACE DECIMAL ±	Q.A.		
		THREE PLACE DECIMAL ±	COMMENTS:		
		INTERPRET GEOMETRIC TOLERANCING PER:			
		MATERIAL			
		FINISH			
NEXT ASSY	USED ON				
APPLICATION		DO NOT SCALE DRAWING			

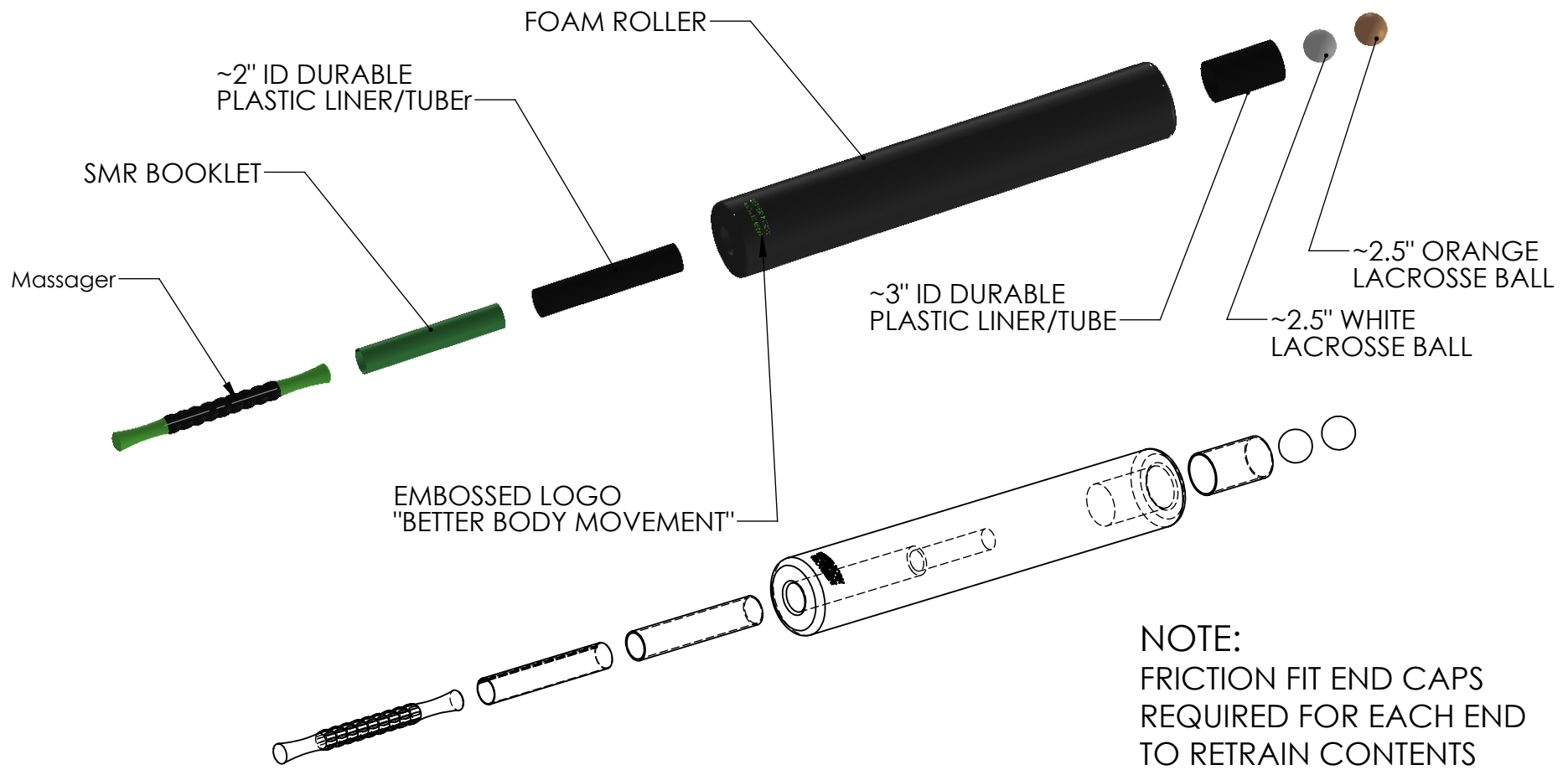
TITLE:		
BBM ROLLER		
SIZE	DWG. NO.	REV
A	1001.1A	
SCALE: 1:12	WEIGHT:	SHEET 1 OF 4

2

1

B

B



A

A

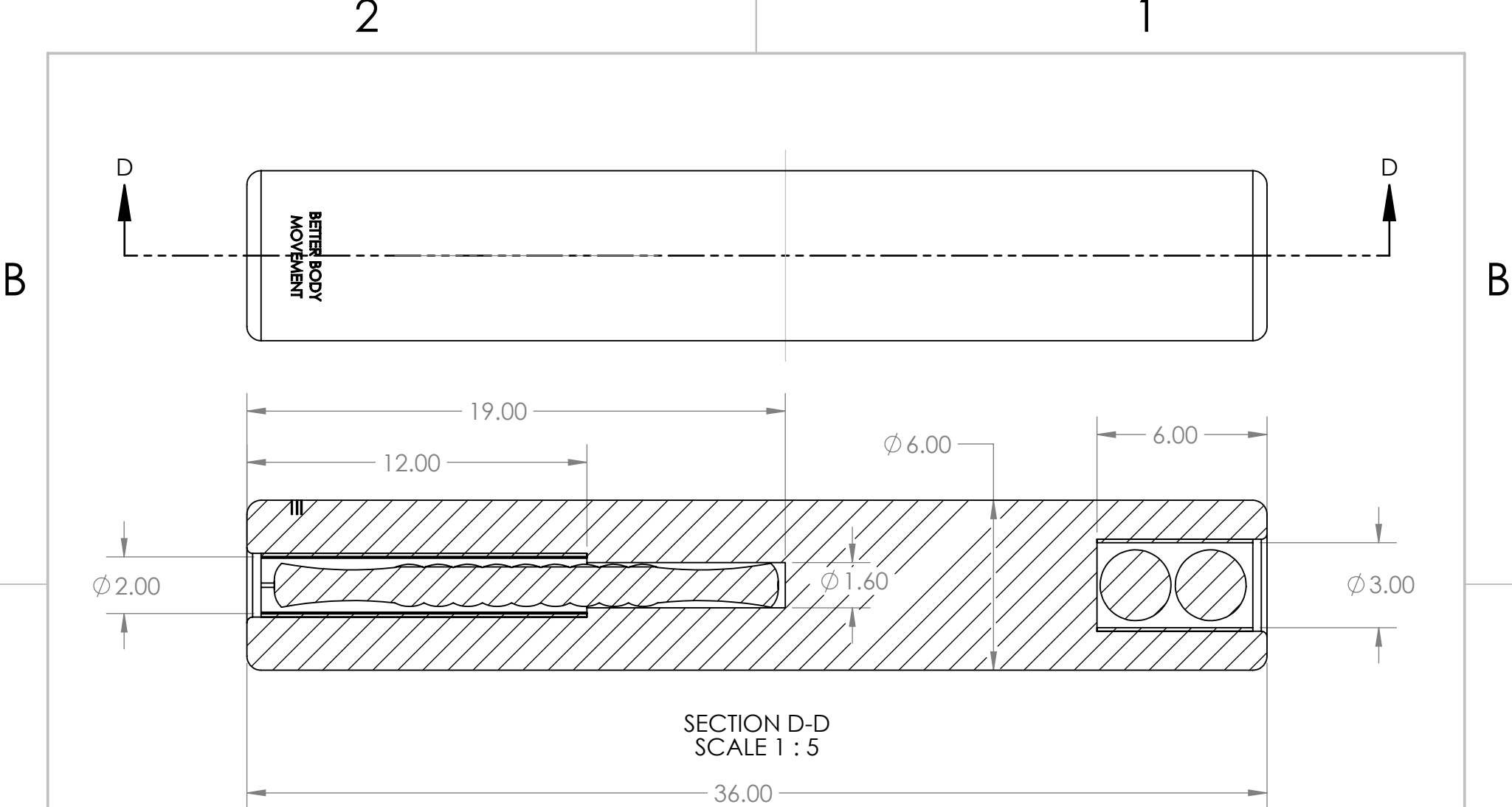
PROPRIETARY AND CONFIDENTIAL
 THE INFORMATION CONTAINED IN THIS DRAWING IS THE SOLE PROPERTY OF FitFaith, LLC. ANY REPRODUCTION IN PART OR AS A WHOLE WITHOUT THE WRITTEN PERMISSION OF FitFaith, LLC IS PROHIBITED.

		UNLESS OTHERWISE SPECIFIED:		NAME	DATE
		DIMENSIONS ARE IN INCHES	DRAWN		
		TOLERANCES:	CHECKED		
		FRACTIONAL ±	ENG APPR.		
		ANGULAR: MACH ± BEND ±	MFG APPR.		
		TWO PLACE DECIMAL ±	Q.A.		
		THREE PLACE DECIMAL ±	COMMENTS:		
		INTERPRET GEOMETRIC TOLERANCING PER:			
		MATERIAL			
NEXT ASSY	USED ON	FINISH			
APPLICATION		DO NOT SCALE DRAWING			

TITLE: BBM ROLLER		
SIZE A	DWG. NO. 1001.1A	REV
SCALE: 1:12	WEIGHT:	SHEET 2 OF 4

2

1



<p>PROPRIETARY AND CONFIDENTIAL</p> <p>THE INFORMATION CONTAINED IN THIS DRAWING IS THE SOLE PROPERTY OF FitFaith, LLC. ANY REPRODUCTION IN PART OR AS A WHOLE WITHOUT THE WRITTEN PERMISSION OF FitFaith, LLC IS PROHIBITED.</p>			UNLESS OTHERWISE SPECIFIED:				<p>TITLE:</p> <p>BBM ROLLER</p>			
			DIMENSIONS ARE IN INCHES		DRAWN					
			TOLERANCES:		CHECKED					
			FRACTIONAL ±		ENG APPR.					
			ANGULAR: MACH ± BEND ±		MFG APPR.					
		TWO PLACE DECIMAL ±		Q.A.				<p>SIZE DWG. NO. REV</p> <p>A 1001.1A</p>		
		THREE PLACE DECIMAL ±		COMMENTS:						
		INTERPRET GEOMETRIC TOLERANCING PER:								
		MATERIAL								
		FINISH								
		APPLICATION		DO NOT SCALE DRAWING						
		NEXT ASSY		USED ON						

B

B

A

A

2

1

2

1

SECTION D-D
SCALE 1 : 5

BETTER BODY
MOVEMENT

Ø 2.00

12.00

19.00

Ø 6.00

6.00

Ø 1.60

Ø 3.00

36.00

SCALE: 1:12 WEIGHT:

SHEET 3 OF 4

2

1

B

B



COMPANY LOGO FOR EMBOSSMENT

A

A

PROPRIETARY AND CONFIDENTIAL
 THE INFORMATION CONTAINED IN THIS DRAWING IS THE SOLE PROPERTY OF FitFaith, LLC. ANY REPRODUCTION IN PART OR AS A WHOLE WITHOUT THE WRITTEN PERMISSION OF FitFaith, LLC IS PROHIBITED.

		UNLESS OTHERWISE SPECIFIED:		NAME	DATE	TITLE: BBM ROLLER							
		DIMENSIONS ARE IN INCHES TOLERANCES: FRACTIONAL ± ANGULAR: MACH ± BEND ± TWO PLACE DECIMAL ± THREE PLACE DECIMAL ±	DRAWN					SIZE A	DWG. NO. 1001.1A	REV			
		INTERPRET GEOMETRIC TOLERANCING PER:	CHECKED								SCALE: 1:12	WEIGHT:	SHEET 4 OF 4
		MATERIAL	ENG APPR.										
NEXT ASSY	USED ON	FINISH	MFG APPR.										
APPLICATION		DO NOT SCALE DRAWING	COMMENTS:										

2

1